



CHIAYO ELECTRONICS CO., LTD.

OFFICE : 30, LANE 27, SEC.4, JEN-AI ROAD, TAIPEI, TAIWAN
TEL : 886-2-2741-5741 FAX : 886-2-2752-5242

FACTORY : 88, CHUNG HSIAO STREET 2, CHIAYI, TAIWAN
TEL : 886-5-271-1000 FAX : 886-5-276-7611

121002
Printed in Taiwan, Oct 1999

 **CHIAYO**

BA-280

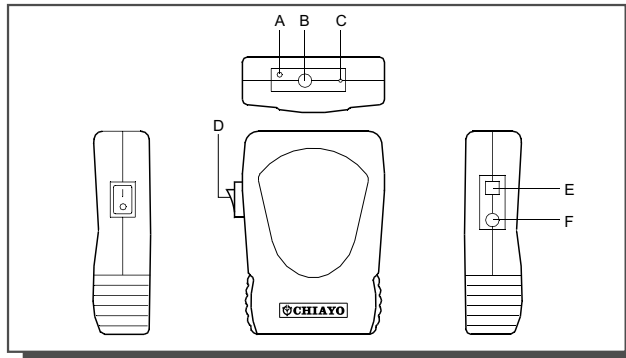
Personal Voice Projector

Operating Manual





Please read this manual thoroughly before operation.



1. Controls

- A. Microphone input
- B. Volume control
- C. LED (Red indicates charging ; Green indicates power on)
- D. Power switch
- E. Charging socket
- F. Tone control

2. Accessories

- 1) Headset microphone * 1 pc
- 2) Belt strap * 1 pc
- 3) Charger : DC 6V / 350 mA *1 pc

Others : (Optional)

- 4) Rechargeable battery : NiMH 1.2 V * 4 pcs (optional)
- 5) Leather Pouch (LP-28) *1

3. Operation :

- 1) Make sure batteries have been loaded in correct polarity and properly.
- 2) A two to three hours of charging is an absolute MUST at the very first time operation.
- 3) Turn "power"(D) on; LED (C) then will turn green.
- 4) Adjust Volume control knob (B) to an appropriate volume you desire.

- 5) Adjust Tone control knob (F) to an appropriate position.
- 6) Plug headset microphone into MIC IN (A). Position Microphone as close as possible to mouth to get a louder sound.
- 7) Must keep microphone at least 45 cm away from mini amplifier to prevent noise from being occurred.

Caution :

- 1. Always use rechargeable type battery when charging.
- 2. In order to prolong the battery's life, do not charge until they are completely drained and make sure batteries are fully charged each cycle.

Trouble shooting :

Symptom	Cause	Solution
1. Intermittent Sound	Headset Microphone plug is not proper contacted with mic in jack.	Insert the plug properly and make sure it has good contact.
2.No Sound	1. Volume control is not properly adjusted. 2. Speaker defect.	1. Adjust volume control. 2. Change the speaker.
3.No Power	1. Battery installed wrongly. 2. Battery is spoiled. 3. Battery is weak.	1. Check and make sure battery is installed correctly. 2. Change batteries. 3. Charge batteries.
4. Feedback	1. Tone control is not properly adjusted.	1. Adjust the Tone control to max. vol before feedback.